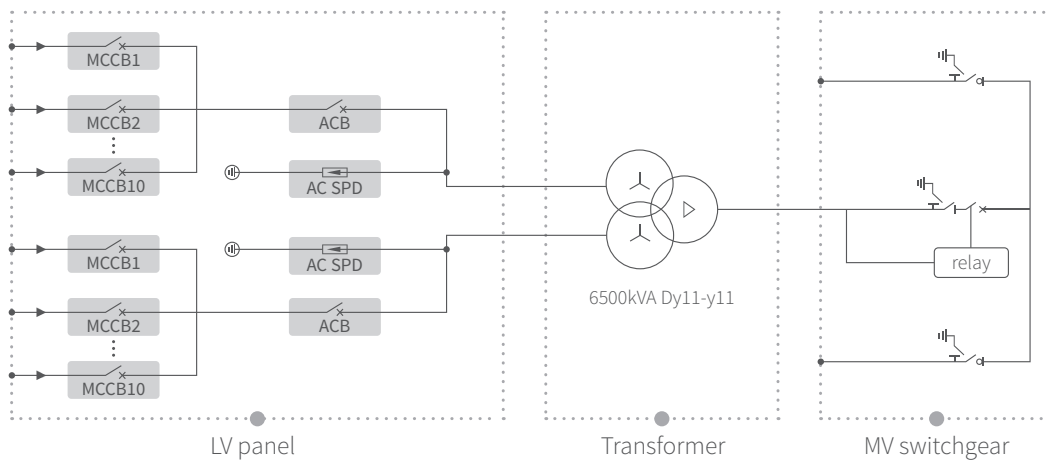


For 1500 V string inverter Shinson 350K

- Mainstream 6.5MW subarray, widely used globally
- 20 foot standard container delivery, easy to transport
- A complete solution, from inverter to main step-up transformer
- When the container is lifted to the foundation, only LV and MV cables need to be connected
- LV panel, transformer and RMU to be placed independently
- Adopt international first-line brand equipment with reliable quality
- Full frontal maintenance design
- Modular design of MV equipment, easy to replace



DATASHEET

Shinson-6500-MV

Models	Shinson-6500-MV
LV panel	
MCCB specification	400 A / 800 Vac / 3P, 10*2 pcs
ACB specification	3200 A / 800 Vac / 3P, 1*2 pcs
Connection form with transformer	Copper busbar
Transformer	
Transformer type	Oil immersed
Rated output power	6500 kVA @ 40°C
Max. output power	7000 kVA @ 30°C
LV/MV voltage	0.8 kV / 10-35 kV
Max. input current	2526 A *2
Tapping on HV	±2*2.5%
Vector group	Dy11y11
Frequency	50 Hz / 60 Hz
Cooling type	ONAN
Impedance	8% (±10%)
Oil type	Mineral oil (Optional: plant oil)
Winding material	Al/Al (Optional: Cu/Cu)
Insulation class	A
Connection form with MV switchgear	Cable
MV Switchgear	
Type of insulate	SF6
Rated voltage	12-36 kV
Rated current	630 A
Internal arcing fault	20 kA / 1 s
Qty of feeder	3 feeders
Protection	
LV surge protection	AC type I-II
AC input protection	Circuit breaker
Transformer protection	Oil-temperature, oil-level, oil-pressure
Fire protection	Smoke detection, emergency lighting
General Data	
Dimensions (W*H*D)	6058*2896*2438 mm
Approximate weight	24 T
Operating ambient temperature range	-25 ~ +60°C
Max. operation altitude	1000 m (standard)
Auxiliary power supply	5 kVA / 230 V (Optional: max. 40 kVA)
UPS	1 kVA 30 min (Optional: max. 2 kVA 2h)
Degree of protection	IP54
Allowable relative humidity range	0-95%
Communication	RS485, Ethernet, Optical fiber
Compliance	IEC 60076, IEC 62271, IEC61439